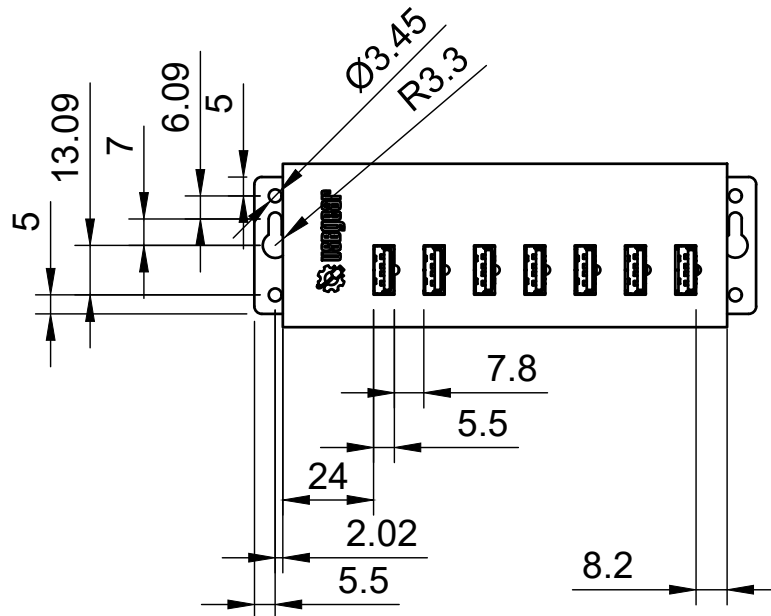
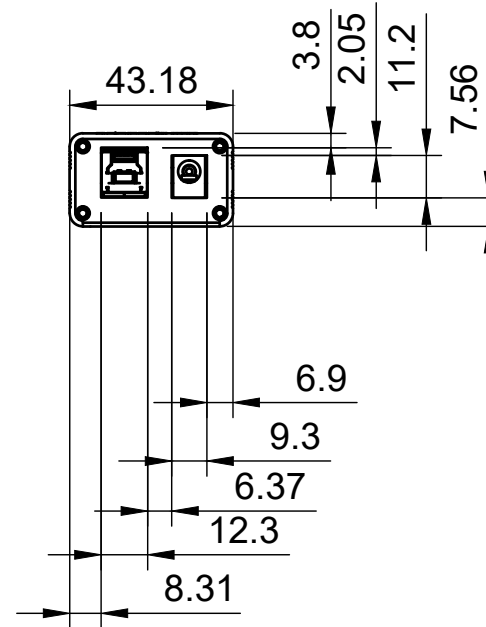
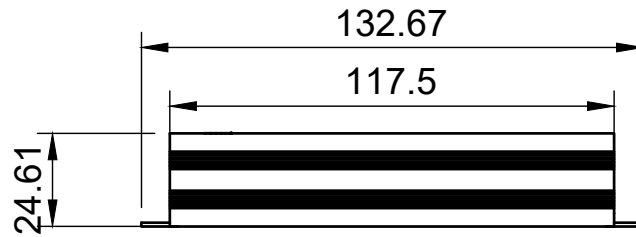



Basic Measurements
 Port Detailed
 Mounting Holes



		Model #:	
		USBG-BREC307	
Drawn by: Leo Pinto		Scale: 1:2	Units: mm
Drawn Date: 6/10/2021		Tolerance: +/- 0.15mm	
Notes:		Contact: support@USBGear.com	
		Web: usbgear.com	
		A4	1/1